

FEATURES

- Little or No Heat Sink Required
- Ease of Use
- Rise Time <8ns
- Fall Time <7ns

APPLICATIONS

- 14", 15", 17" Monitors with 70KHz Scanning Frequency

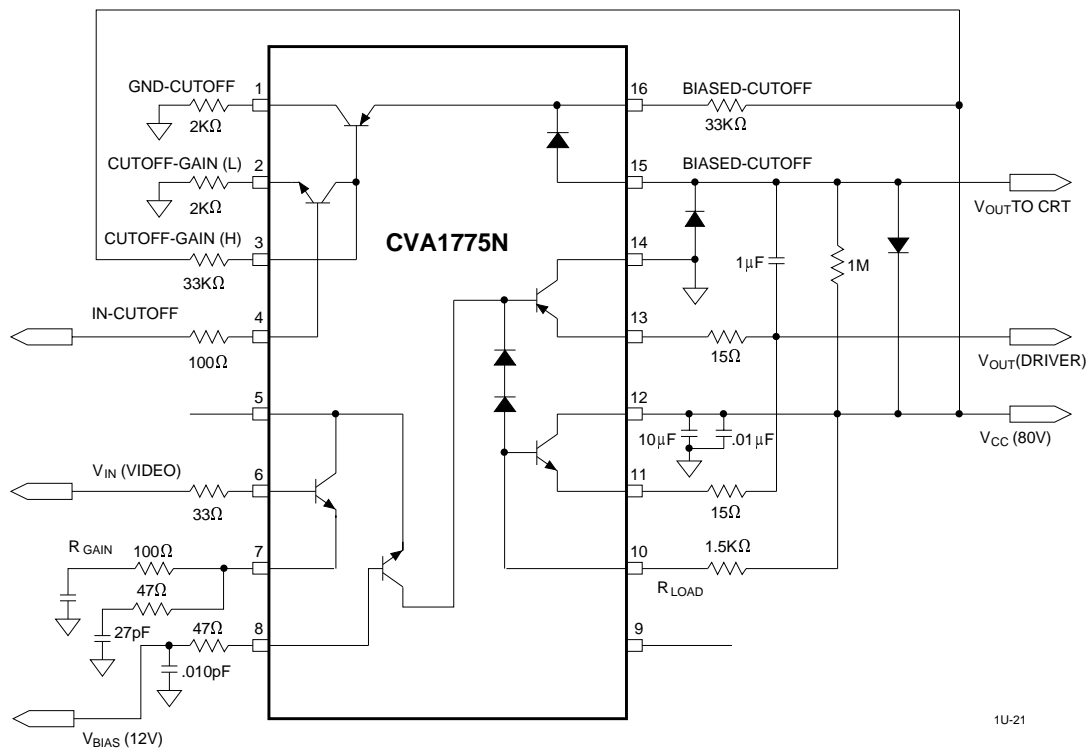
DESCRIPTION

The CVA1775N includes a cascode CRT driver and a DC bias cutoff amplifier. All of the active components are inside the CVA1775N. Only the passive components and protection diodes are needed to drive a CRT tube. The CVA1775N can easily drive 70KHz monitors. With the unique feature of DC bias circuitry the printed circuit board will shrink as EMI performance will be improved.

ORDERING INFORMATION

Part	Package	Temperature
CVA1775N	16-PDIP	0°C to +110°C

SCHEMATIC, TEST CIRCUIT



1U-21

ABSOLUTE MAXIMUM RATINGS

Supply Voltage (Driver Pin #12)	100V	Junction Temperature	175°C
Supply Voltage (cutoff)	250V	Operating Temperature (Case)	0°C to +110°C
Storage Temperature	-25°C to +125°C	Lead Temperature	+300°C

CRT DRIVER DC ELECTRICAL CHARACTERISTICS $V_S = 80V, C_L = 12pF, V_{BIAS} = 12V, V_{IN} = 2.7V, R_L = 1500\Omega, T_{CASE} = +25^\circ C$.

SYMBOL	CHARACTERISTICS	MIN	TYP	MAX	UNITS
I_{CC}	Supply Current		20	26	mA
$V_{OUT DC}$	Output DC Level	44	50	56	V
A_v (Driver)	Voltage Gain		13	15	V

CRT DRIVER AC ELECTRICAL CHARACTERISTICS $V_S = 80V, C_L = 12pF, V_{BIAS} = 12V, V_{IN} = 2.7V, R_L = 1500\Omega, T_{CASE} = +25^\circ C$.

SYMBOL	CHARACTERISTICS	MIN	TYP	MAX	UNITS
T_r	Rise Time		7.5	9	ns
T_f	Fall Time		7.5	9	ns
L_e	Linearity		5		%
OS	Overshoot		3		%

BIAS AMPLIFIER DC ELECTRICAL CHARACTERISTICS Supply Voltage = 150V, $V_B = 12V$ see test circuit.

SYMBOL	CHARACTERISTICS	TYP	MIN	MAX	UNITS	CONDITIONS
I_{CC}	Supply Current	5		5.5	mA	$V_{IN} = 5V$
$V_{OUT(Low)}$	Output Voltage	66	60	70	V	$V_{IN} = 5V$
$V_{OUT(HIGH)}$	Output Voltage	121	118	126	V	$V_{IN} = 1V$
Gain	Voltage Gain	13.8	12	16	V/V	$\Delta V_{OUT}/\Delta V_{IN}$
Δ Gain	Gain Match	0.5		1	dB	Note 1

Note 1. Calculate from voltage gain of each channel.

Note 2: V_{OUT} at $V_{IN} = 5V, \Delta T = 25^\circ C$ to $100^\circ C$

APPLICATION INFORMATION

The CVA1775N is a high voltage driver and DC bias amplifier suitable for VGA, Super VGA, IBM® 8514, 1024 x 768 non-interlaced display applications. The CVA1775N features 80V and low power dissipation. The part is housed in the industry standard 16-pin PDIP.

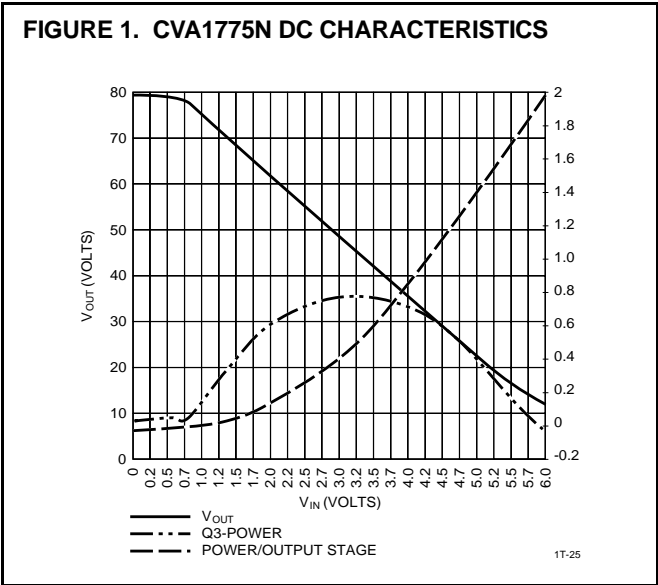
Thermal Considerations

The transfer characteristics of the CVA1775N application are shown in *Figure 1*. Since this is a class A input stage, power supply current increases as the input signal increases and consequently power dissipation also increases.

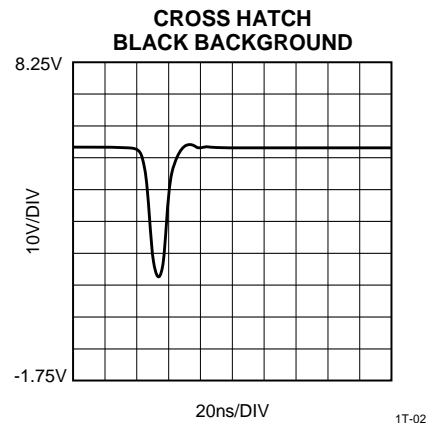
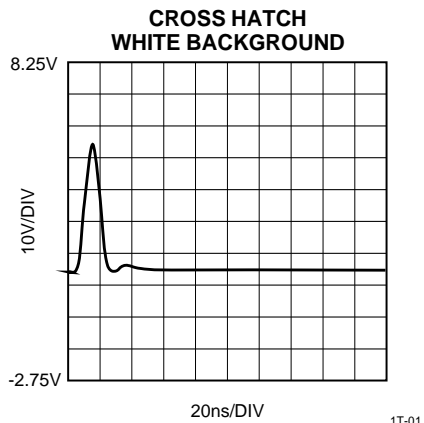
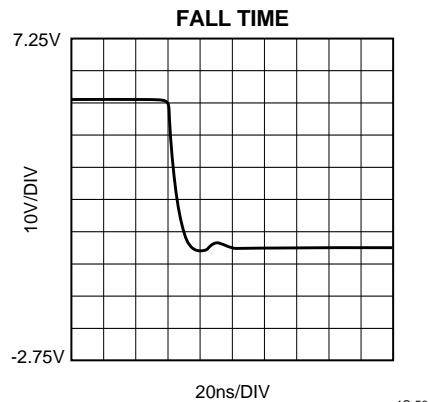
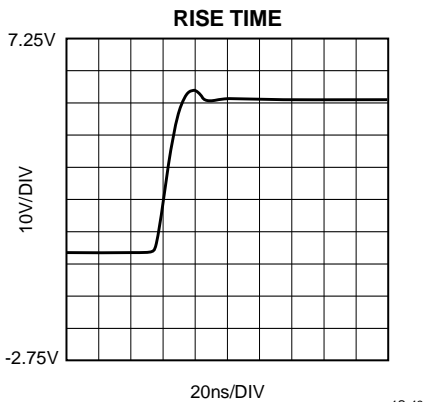
The CVA1775N can be used without a heat sink. Under white screen condition, i.e. 25V output, dissipation is 0.6W/channel. Under gray level conditions $C_L = 12\text{pf}$, $V_{OUT} = 45\text{p-p}$, the dissipation is 1.1W/channel.

The output of CVA1775N is not short circuit proof.

FIGURE 1. CVA1775N DC CHARACTERISTICS



TYPICAL CHARACTERISTICS



Information furnished by Calogic is believed to be accurate and reliable. However, no responsibility is assumed for its use: nor for any infringement of patents or other rights of third parties which may result from its use. No license is granted by implication or otherwise under any patent rights of Calogic.